

Standards

Design and Manufacture: DIN 3356. BS 173
 Face to Face Dimensions: DIN 3202. BS EN 558-1
 Flanged Ends Dimensions: DIN 2543-2545. EN 1092-1
 Test & Inspect: DIN 3230. BS EN 12569

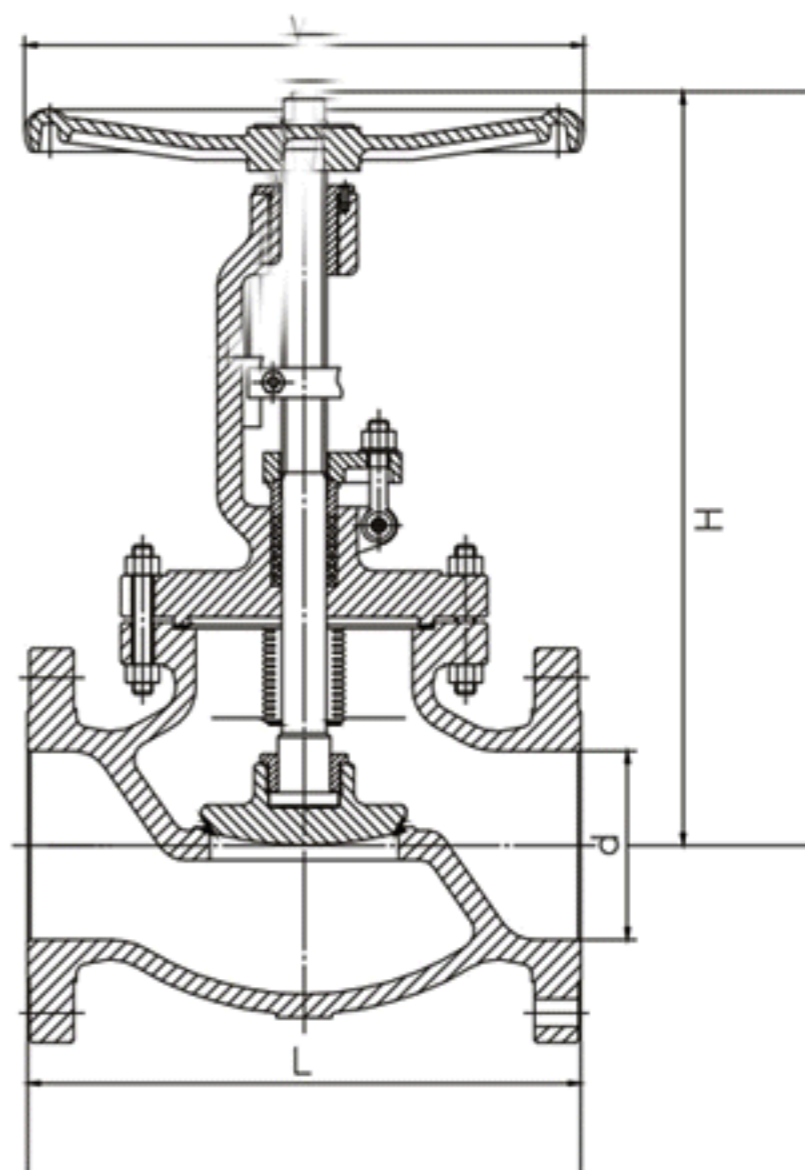
Structure Feature

1. Double seal, more reliable performance;
2. Stem lift position indication, more intuitive;
3. Small flow resistance, low pressure drop.

Parts and material list

Part Name		Material				
1	Body	DIN 17245 GS-C25+CR13	DIN 17245 GS-C25+STL	DIN 17245 GS-C25+STL	DIN 17445 1.4308	DIN 17445 1.4408
2	Disc	DIN 17245 GS-C25+CR13	DIN 17245 GS-C25+CR13	DIN 17245 GS-C25+STL	DIN 17445 1.4308	DIN 17445 1.4408
7	Bonnet	DIN 17245 GS-C25	DIN 17245 GS-C25	DIN 17245 GS-C25	DIN 17445 1.4308	DIN 17445 1.4408
3	Disc Cover	ASTM A182 F6a			ASTM A182 F304	ASTM A182 F316
4	Stem	ASTM A182 F6a			ASTM A182 F304	ASTM A182 F316
5	Bellows Seal	SS304			SS304	SS316
8	Bolt	ASTM A193 B7			ASTM A194 8	ASTM A194 8
9	Nut	ASTM A194 2H			ASTM A193 B8	ASTM A193 B8
11	Gland	ASTM A182 F6a			ASTM A182 F304	ASTM A182 F316
12	Gland Flange	DIN 17245 GS-C25			DIN 17445 1.4308	DIN 17445 1.4408
13	Guide Block	DIN 17245 GS-C25			DIN 17445 1.4308	DIN 17445 1.4408
6	Gasket	Flexible Graphite+SS, PTFE or Reinforced PTFE				
10	Packing	Braided Graphite or reformed Graphite Ring or PTFE				
14	Stem Nut	Copper Alloy or A439 D2				
15	Handwheel	Ductile Iron or Carbon Steel				

Note: Connection flange of series valve may be manufactured by customer's requirement.



Dimensions

PN16 (DIN 3202-F1)

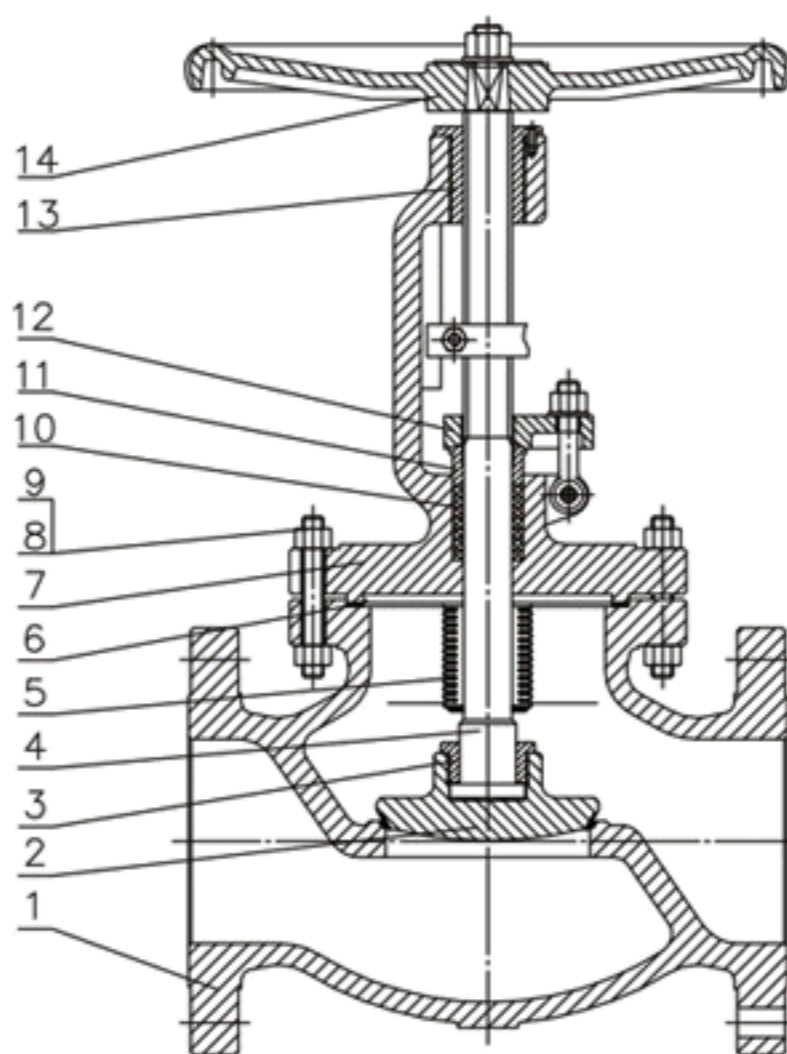
DN	15	20	25	32	40	50	65	80	100	125	150	200	250	300	350
L	130	150	160	180	200	230	290	310	350	400	480	600	730	850	980
H	195	200	220	225	235	250	260	265	370	400	515	550	600	630	680
W	120	120	140	160	160	180	200	220	250	300	350	400	450	500	500

PN25 (DIN 3202-F1)

DN	15	20	25	32	40	50	65	80	100	125	150	200	250	300	350
L	130	150	160	180	200	230	290	310	350	400	480	600	730	850	980
H	195	200	220	225	235	250	260	265	370	400	515	550	600	630	680
W	120	140	140	160	160	180	200	220	250	300	350	400	450	500	500

PN40 (DIN 3202-F1)

DN	15	20	25	32	40	50	65	80	100	125	150	200	250	300	350
L-RF	130	150	160	180	200	230	290	310	350	400	480	600	730	850	980
H	195	200	220	225	235	250	260	265	370	400	515	550	600	630	680
W	120	140	140	160	160	180	200	220	250	300	350	400	450	500	500



Standards

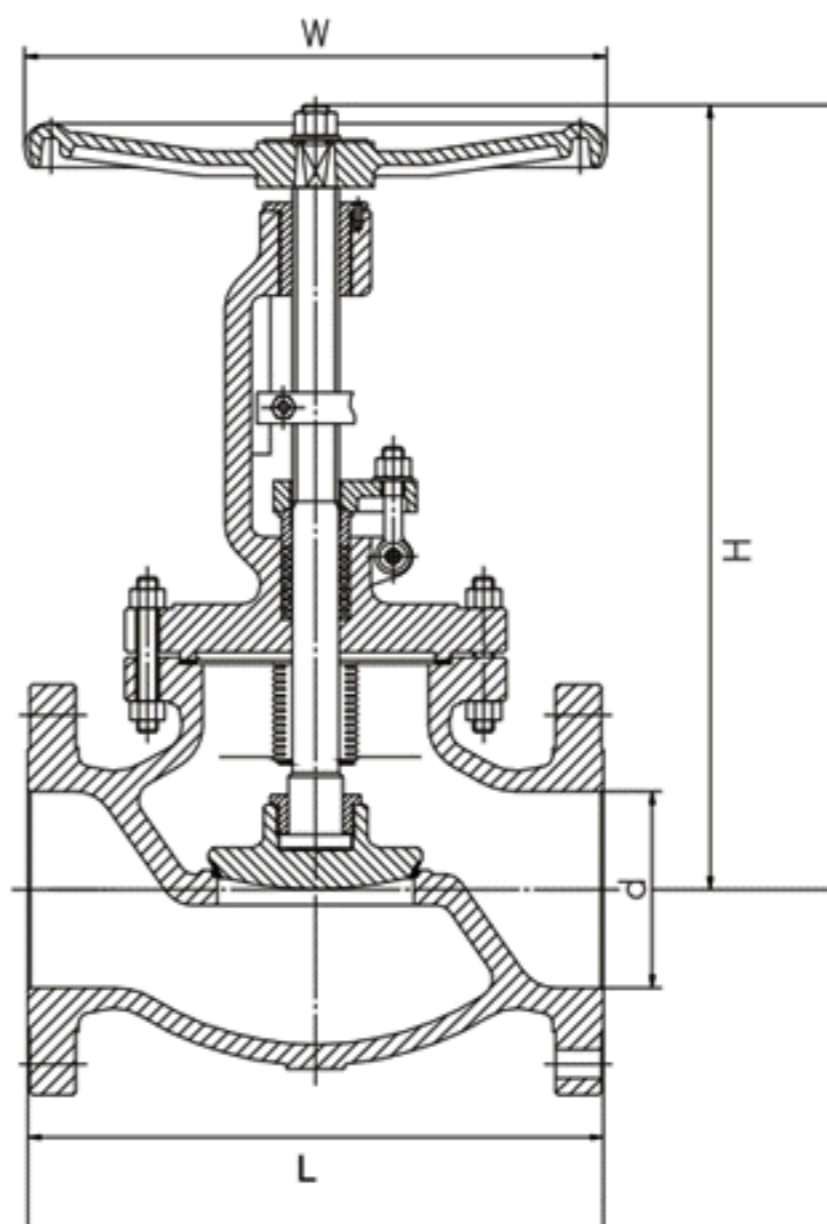
Design Standard	BS 1873
Face to Face	ASTM B 16.10
End flanges Dimensions	ASME B 16.5
Inspection and Test	API598.

Structure Feature

1. Double seal, more reliable performance;
2. Stem lift position indication, more intuitive;
3. Small flow resistance, low pressure drop.

Parts and material list

Part Name		Carbon Steel to ASTM		Alloy Steel to ASTM				Stainless Steel to ASTM			
1	Body	A216 WCB	A352 LCB	A217 WC1	A217 WC6	A217 WC9	A217 C5	A351 CF8	A351 CF8M	A351 CF3	A351 CF3M
2	Disc	A182 F6a	A182 F6a	A182 F6a	A182 F6a	A182 F6a	A182 F6a	A182 F304	A182 F316	A182 F304L	A182 F316L
3	Disc Cover	A182 F6a	A182 F6a	A182 F6a	A182 F6a	A182 F6a	A182 F6a	A182 F304	A182 F316	A182 F304L	A182 F316L
4	Stem	A182 F6a	A182 F6a	A182 F6a	A182 F6a	A182 F6a	A182 F6a	A182 F304	A182 F316	A182 F304L	A182 F316L
5	Bellows Seal	A182 F304	A182 F304	A182 F304	A182 F304	A182 F304	A182 F304	A182 F304	A182 F316	A182 F304L	A182 F316L
7	Bonnet	A216 WCB	A352 LCB	A217 WC1	A217 WC6	A217 WC9	A217 C5	A351 CF8	A351 CF8M	A351 CF3	A351 CF3M
8	Bolt	A193 B7	A320 L7	A193 B7	A193 B16	A193 B16	A193 B16	A193 B8	A193 B8M	A193 B8	A193 B8M
9	Nut	A194 2H	A194 4	A194 2H	A194 4	A194 4	A194 4	A194 8	A194 8M	A194 8	A194 8M
11	Gland	A182 F6a	A182 F6a	A182 F6a	A182 F6a	A182 F6a	A182 F6a	A182 F304	A182 F316	A182 F304L	A182 F316L
12	Gland Flange	A216 WCB	A352 LCB	A217 WC1	A217 WC6	A217 WC9	A217 C5	A351 CF8	A351 CF8M	A351 CF3	A351 CF3M
6	Gasket	Flexible Graphite+SS or PTFE									
10	Packing	Flexible Graphite or PTFE									
13	Stem Nut	Copper Alloy or A439 D2									
14	Handwheel	Ductile Iron or Carbon Steel									



Size		Class 150					Class 300				
		Dimensions (mm)				Wt (kg)	Dimensions (mm)				Wt (kg)
NPS	DN	L	d	H	W	H.W	L	d	H	W	H.W
1/2	15	108	13	241	120	4	152	13	241	120	6
3/4	20	117	19	241	140	5	178	19	241	140	7
1	25	127	25	241	140	6	203	25	283	140	10
1 1/4	32	140	32	280	180	10	215	32	320	180	15
1 1/2	40	165	38	286	200	13	229	38	322	200	20
2	50	203	51	368	220	18	267	51	399	220	25
2 1/2	65	216	64	387	260	30	292	64	438	260	30
3	80	241	76	400	280	35	318	76	450	280	52
4	100	292	102	457	300	55	356	102	584	300	88
5	125	356	127	520	320	75	400	127	610	320	115
6	150	406	152	609	340	104	444	152	660	340	160
8	200	495	203	698	400	200	559	203	762	400	259
10	250	622	254	762	450	300	622	254	850	450	420
12	300	698	305	876	450	390	711	305	1085	450	595
14	350	787	337	990	450	610	762	336	1187	450	876